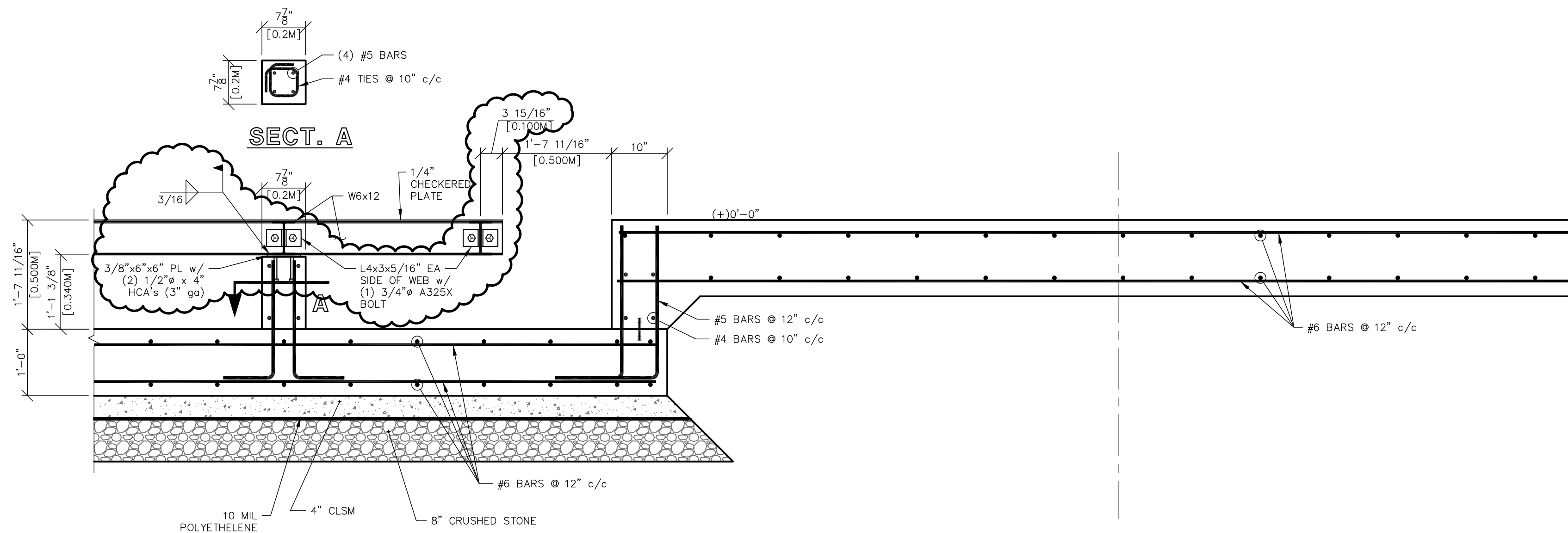
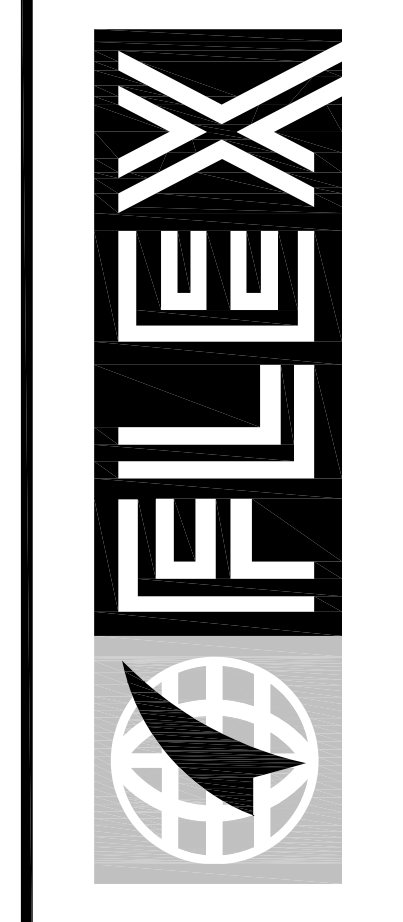


6 SECTION
CAST GRANULATOR

MDO AND CAST GRANULATOR LAYOUT



4 SECTION
MDO FOUNDATION, MDO PIT



FLEX FILMS (USA) INC.
1221 NORTH BLACK BRANCH ROAD
ELIZABETHTOWN, KENTUCKY 42702
PROJECT L-12 BOPET U.S.A.

DATE	REVISION	NUMBER
01-04-12	REVISION	NUMBER 3

PROJECT NO. 8524-02	DESIGNED BY EPH	CHECKED BY FH	REVIEWED BY
DRAWN BY GPT EPH			
DATE JULY 2011	SCALE A8 NOTED		

nse Engineers
Architects
Planners
OF KENTUCKY, INC.
624 Wellington Way
Lexington, KY 40503
Phone: (606) 223-5694
Fax: (606) 223-5697
www.nseinc.com

DRAWING NO.
UFL-L12
PS-021

MDO AND CAST GRANULATOR LAYOUT